

Cohort Lever Basin Mixer with Click Waste

TCL25 (Chrome), TCL2504 (Brushed Brass), TCL2505 (Gunmetal)

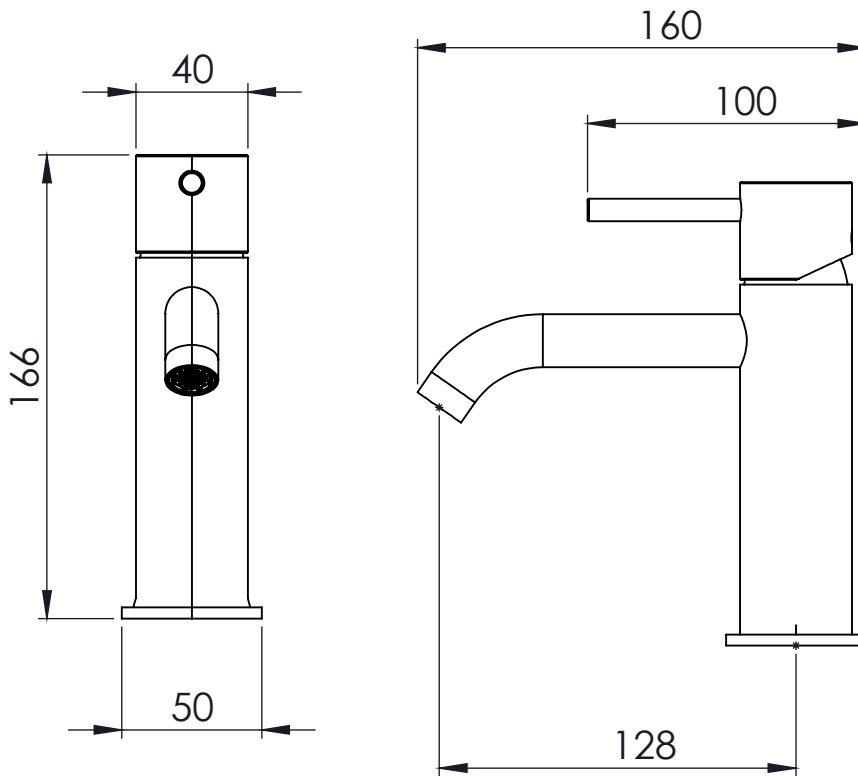


FLOW RATE DATA IS TESTED UNDER LABORATORY CONDITIONS: ACTUAL FLOW RATE MAY VARY DEPENDING ON DOMESTIC SUPPLY AND ACCESSORIES

Minimum Pressure:	0.5 BAR
Pressure:	Flow Rate (l/min)
0.5 BAR	4.25
1 BAR	5.5
2 BAR	7.91
3 BAR	9.8

Dimensions

Diagrams not to scale. All dimensions in mm (tolerance of +/-5mm)



FAQs

What connections do the flexible hoses have? This tap uses flexible hoses with 1/2" BSP captive nut connections.

What size Pipework do i need? It is recommended to use 15mm with G1/2" plumbing fittings.

What is the recommended operating pressure? 0.5 BAR.

How do I care for the finish on this tap? We recommend using only a damp cloth and warm water. Do NOT use abrasive cleaning products or cleaning chemicals as this may damage the surface of the product.